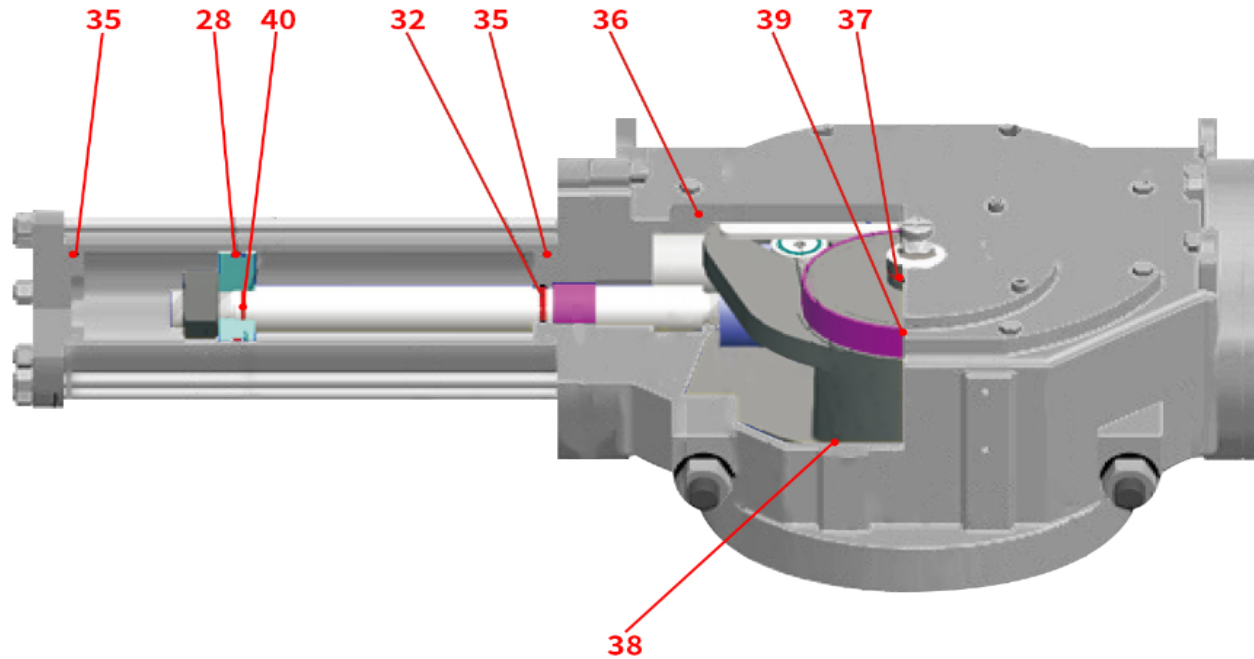


ASSEMBLY PARTS AND MATERIAL TABLE:



Material Type:

No.	Name	Material	QTY(PCS)	Memo
40	Piston O-Ring	NBR/HNBR	2	
39	Top cover O-ring	NBR/HNBR	1	
38	Yoke O-ring	NBR/HNBR	1	
37	Yoke O-ring	NBR/HNBR	1	
36	Body Cap O-ring	NBR/HNBR	1	
35	Adapter O-Ring	NBR/HNBR	1	
35	End Cap O-ring	NBR/HNBR	1	
32	Adapter O-Ring Adapter Y-Ring	NBR/HNBR	1/1	
28	Piston O-Ring Piston Y-Ring	NBR/HNBR	1/2	

Note: for model SY02F10 / SY02F12, Pos. 39 is excluded.